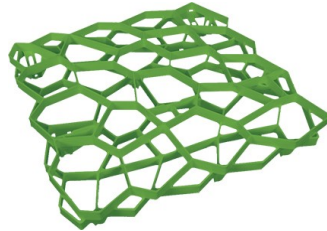


# Technical data sheet WALL-Y

## 1. DESCRIPTION

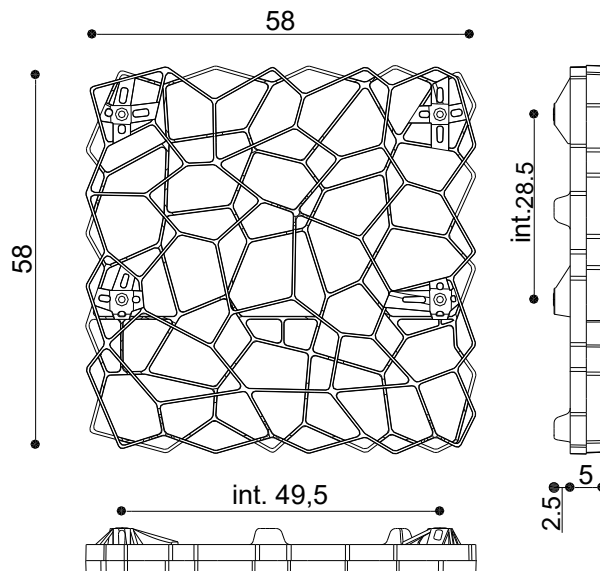
WALL-Y is a plastic grid for create green walls.



## 2. TECHNICAL SPECIFICATIONS

Material	-	Gralene HDVN
Colour	-	White - Green
Dimensions	cm	58 x 58 x H7,5
Weight	kg/pc	1,47
Walls thickness	cm	0,5
Spacers thickness	cm	2,5
Horizontal distance between fixing points	cm	49,5
Vertical distance between fixing points	cm	28,5
Fixing holes diameter	mm	Ø10
Anchors diameter	mm	Ø8
Place of production	-	Italy

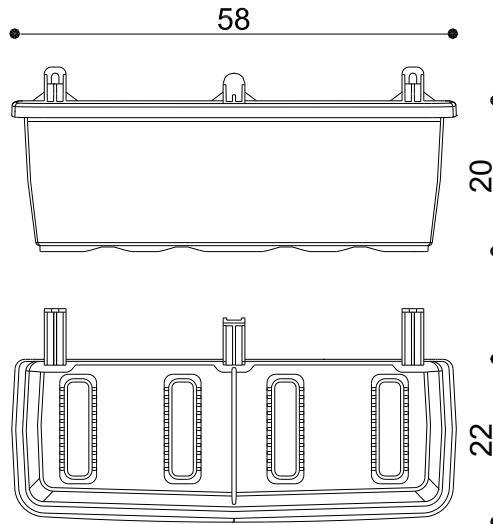
## 3. TECHNICAL DRAWINGS



#### 4. ACCESSORIES

POT is equipped with 3 hooks for a convenient fixing to the grid. The lateral hooks are equipped with a hole for fixing on the wall, while the central hook engages with the grid with easy interlocking. For the correct fixing we supply 2 metallic rings. POT is available in 2 colors: green and white.

Dimensions	cm	58 x 22 x H20
Weight	kg/pc	1,21
Capacity	l	20
Maximum allowed applicable vertical load	kg	80
Horizontal interax for fixing holes	cm	49
Diameters for fixing holes	mm	Ø10
Material	-	HD PE



#### 5. PACKAGING AND TRANSPORT

		Wall-Y	POT
Product code	-	FWLYGVE5858 (green) FWLYGBI5858 (white)	FWLYVVE0020 (green) FWLYBI0020 (white)
Pcs per sqm	pcs	3	-
Type of packaging	-	Stacked on pallet	Stacked on pallet
Pcs per pallet	pcs	180	100
Surface per pallet	m <sup>2</sup>	60	-
Packaging dimensions	cm	120x120xH240	100x120xH200